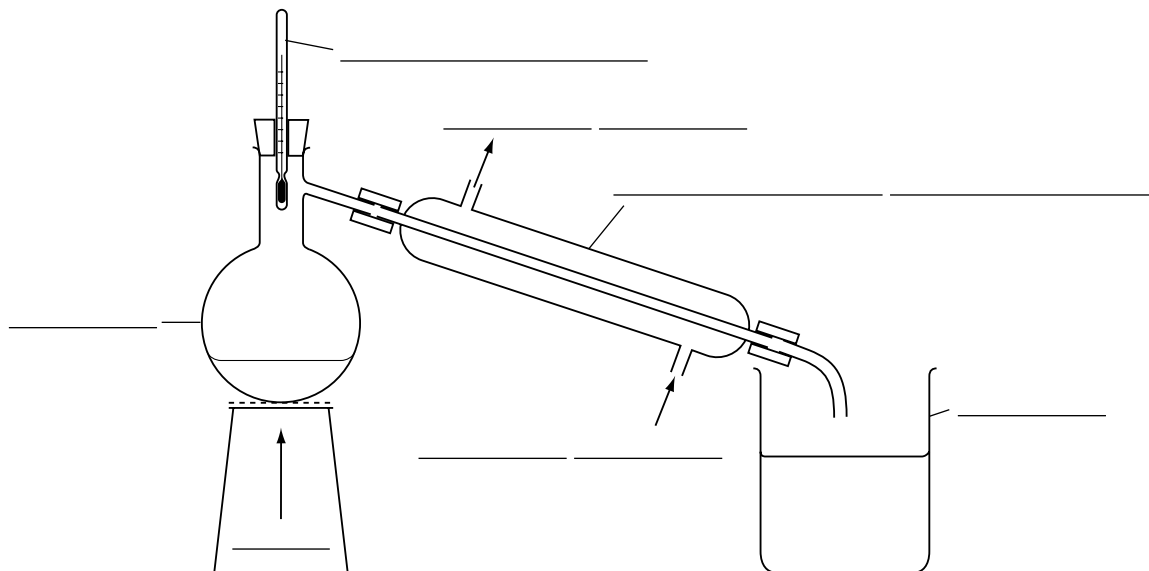


Name _____

Class _____

Label the parts of the distillation apparatus shown below, using words from the box.



beaker flask heat Liebig condenser thermometer water in water out

S knowledge, literacy



Cut out these boxes. Arrange them in the right order to explain what happens when you distil inky water. Stick them into your book.



The water evaporates and forms steam. The ink does not evaporate.

The mixture is heated.

The water runs into the beaker.

The cold water flowing around the outside of the condenser cools the steam.

The mixture of ink and water is put into the flask.

The steam goes into the condenser.

The steam condenses to form pure water.